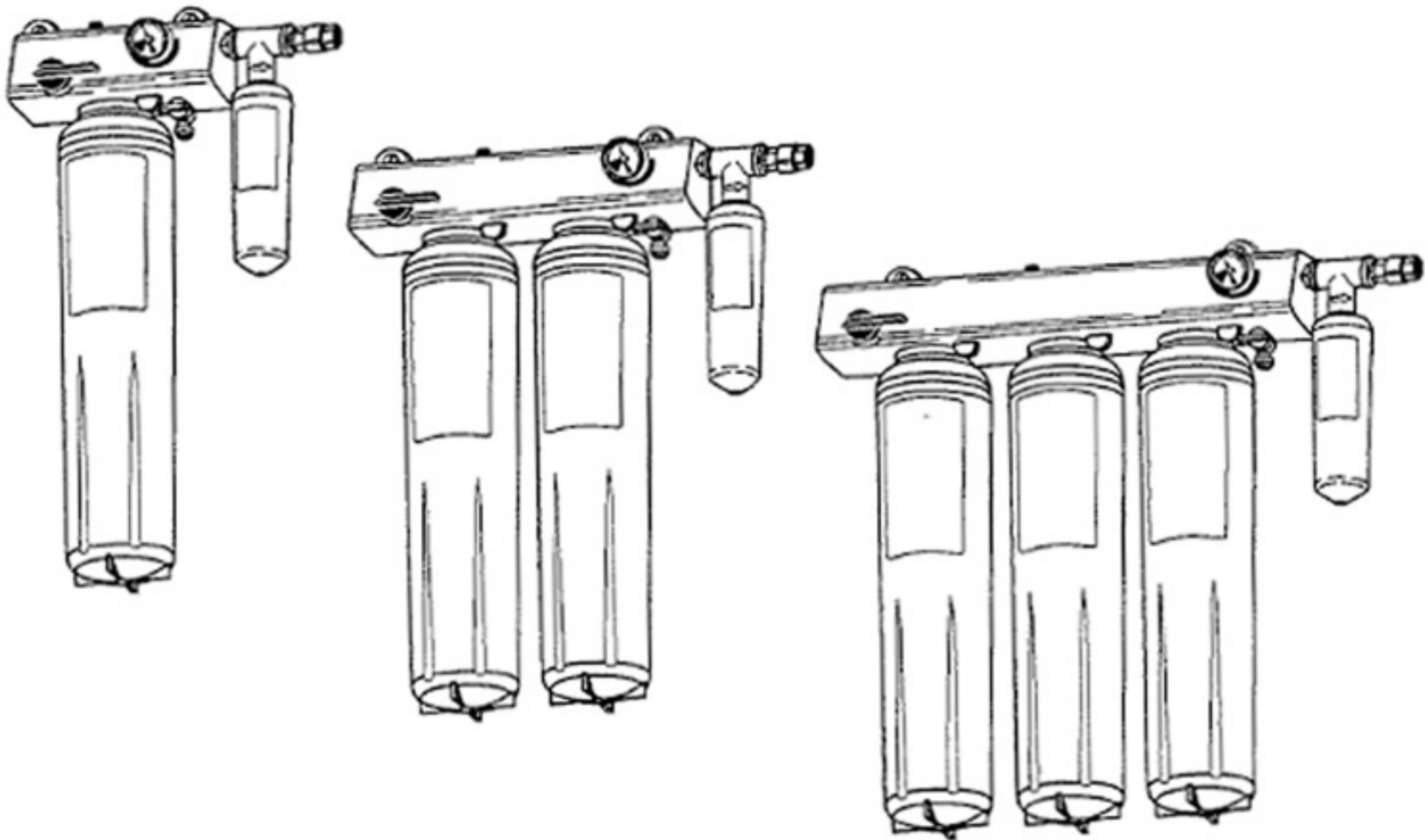




Water Filtration Products

Installation Manual *for* Dual Port Manifold Systems



Note: Installer - Please leave with owner/operator.

LIMITED 5 YEAR WARRANTY

CUNO Incorporated warrants this Product (excluding disposable filter cartridge) to be free from defects in material and workmanship for five (5) years from the date of purchase. The disposable filter cartridge is warranted from defects in material and workmanship for a period of twelve (12) months from the date of purchase. This warranty does not cover failures resulting from abuse, misuse, alteration or damage not caused by CUNO or failure to follow installation and use instructions. If the Product is defective CUNO will replace the Product or refund your Product purchase price. CUNO will not be liable for any indirect, special, incidental, or consequential damages arising from the use of this Product. Some states do not allow the exclusion or limitation of incidental or consequential damages, so the above limitation may not apply to you. To obtain warranty service, mail your request to Warranty Claims, CUNO Incorporated, 400 Research Parkway, Meriden, CT 06450. Proof of purchase (original sales receipt) must accompany the warranty claim, along with a complete description of the Product, model number and alleged defect. This warranty gives you specific legal rights and you may have other rights which vary from state to state, or country to country. Please refer to the Warranty Card provided with the product for details.

SAFETY

Always follow these safety precautions when installing and operating the water filter systems. CUNO shall not be liable for system failures due to improper installation.

⚠️ WARNING

Do not use with water that is microbiologically unsafe or of unknown quality without adequate disinfection before or after the system.

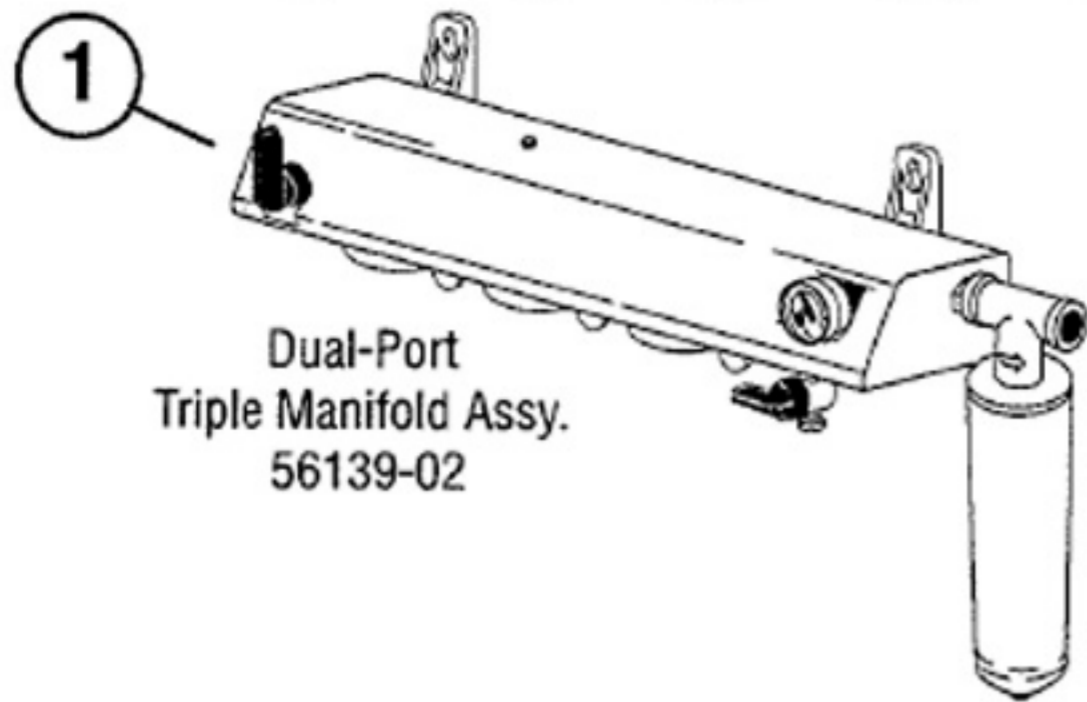
CAUTION

To reduce the risk associated with property damage due to water leakage:

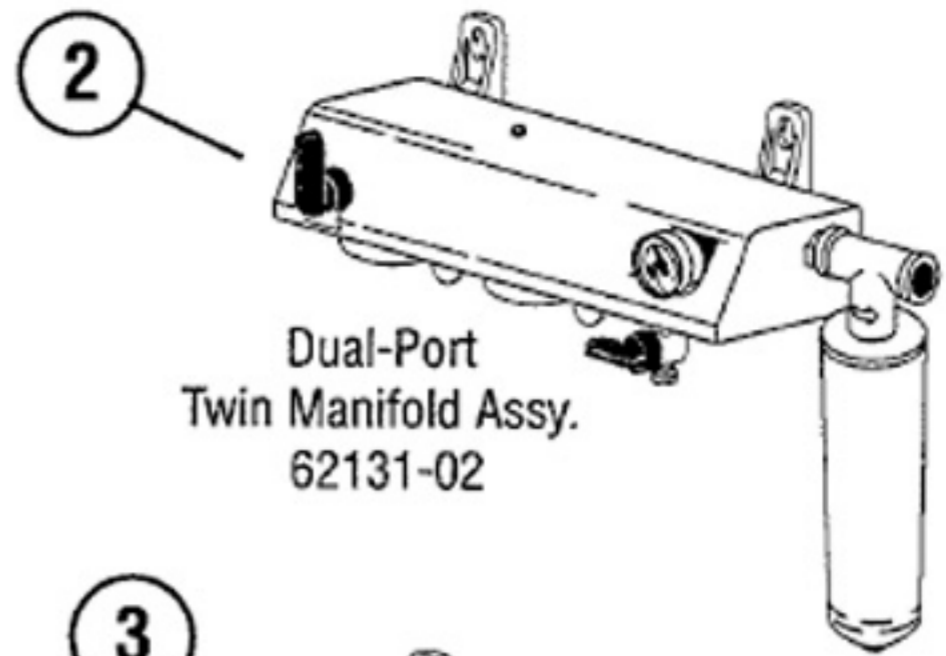
- **Read and follow** Use Instructions before installation and use of this system.
- Installation and Use **MUST** comply with all state and local plumbing codes.
- **Protect from freezing**, remove filter cartridge when temperatures are expected to drop below 40°F (4.4°C).
- **Do not install on hot water supply lines**. The maximum operating water temperature of this filter system is 100°F (37.8°C).
- **Do not install** if water pressure exceeds 125 psi (862 kPa). If your water pressure exceeds 80 psi (552 kPa), you must install a pressure limiting valve. Contact a plumbing professional if you are uncertain how to check your water pressure.
- **Do not** use a torch or other high temperature sources near filter system, cartridges, plastic fittings or plastic plumbing.
- Take care when using pliers or pipe wrenches to tighten plastic fittings, as damage may occur if overtightening occurs.
- **Do not** install in direct sunlight or outdoors without protection from precipitation.
- Ensure all tubing and fittings are secure and free of leaks.
- The disposable filter cartridge **MUST** be replaced ever 12 months, at the rated capacity or if a noticeable reduction in flow rate occurs.

All metric conversions are approximate.

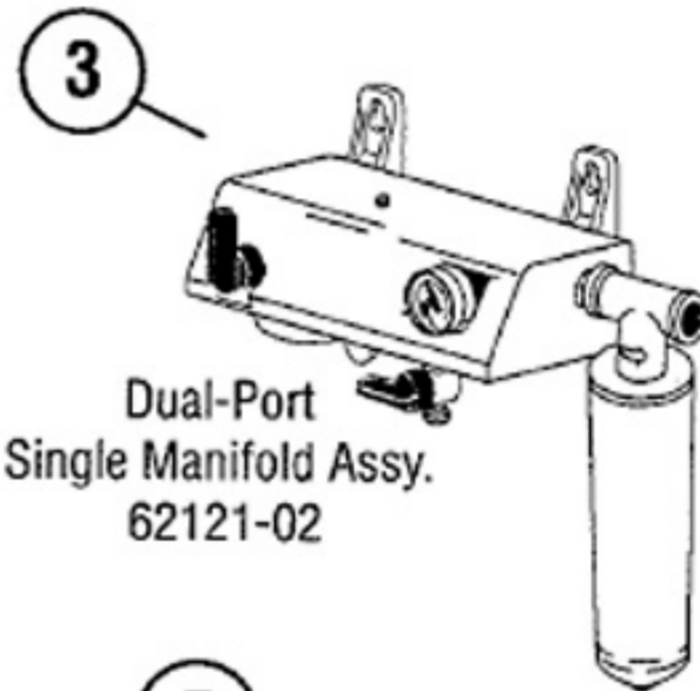
PARTS IDENTIFICATION LIST



1
Dual-Port
Triple Manifold Assy.
56139-02



2
Dual-Port
Twin Manifold Assy.
62131-02



3
Dual-Port
Single Manifold Assy.
62121-02

Repl. Ctg. Model #/ Part #	System Model #/ Part #	Item #
(1) HF90 56135-03 (1) HF8-S 55821-06	DP190 56166-01	3/5/4/4A
(2) HF90 56135-03 (1) HF8-S 55821-06	DP290 56165-01	2/5/4/4A



5
Check Valve
60-5651114



Replacement Flush Valve
68974-34



Replacement Bracket
85-8419



Optional Inlet Pressure Gauge
85005-49



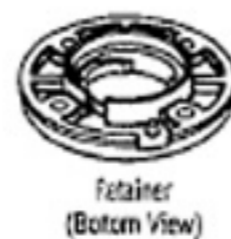
Replacement Gauge
85005-50



Cartridges Styles
(refer to matrix)



Inlet Valve Replacement Kit
56174-01



Retainer
(Bottom View)



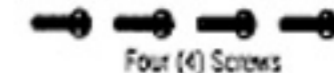
Lever



Key Ring (Orange)

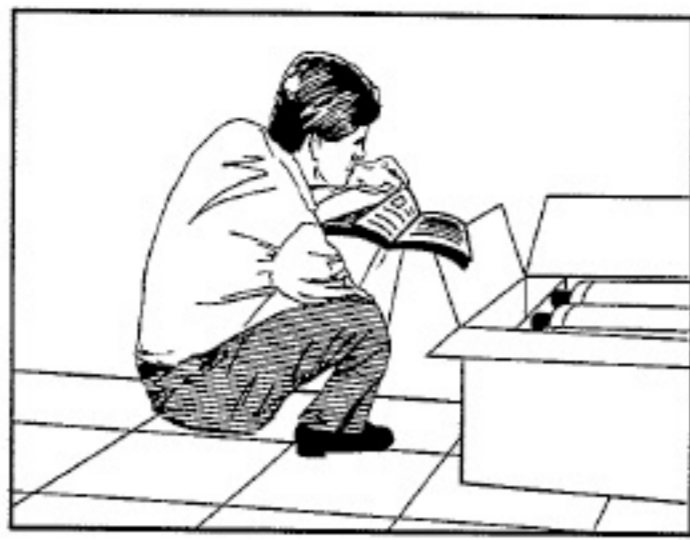


Key Ring (Black)



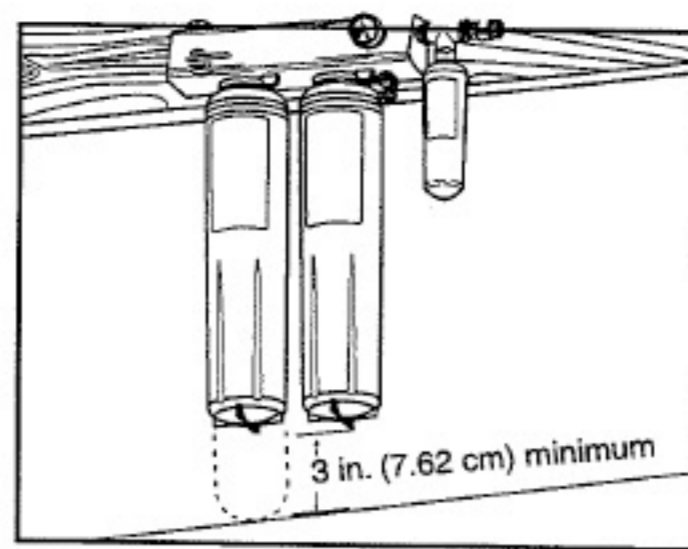
Four (4) Screws

Retainer Kit
68749-01



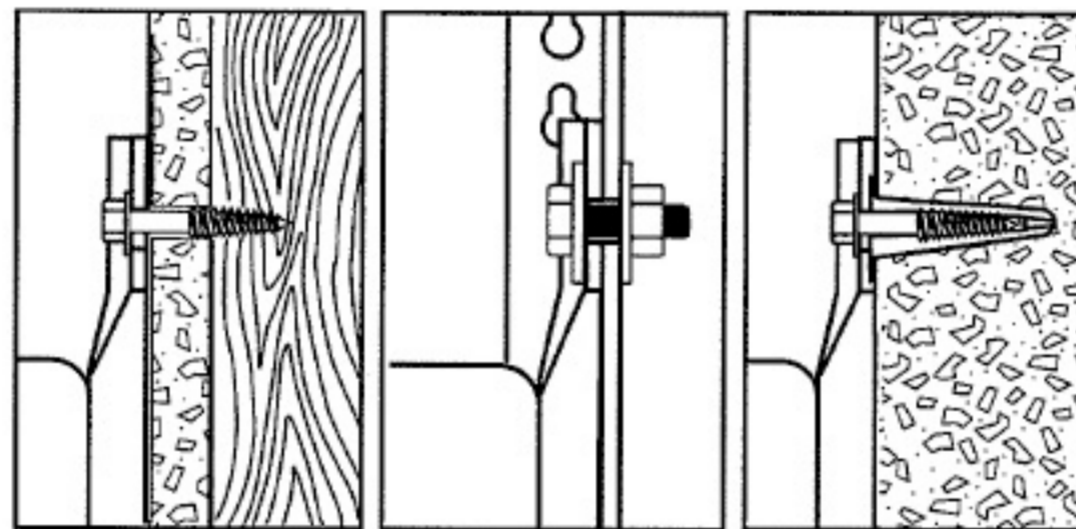
STEP 1

Remove system from the package and check parts list (page 22).
NOTE: Be sure inlet water supply is turned off before installing.



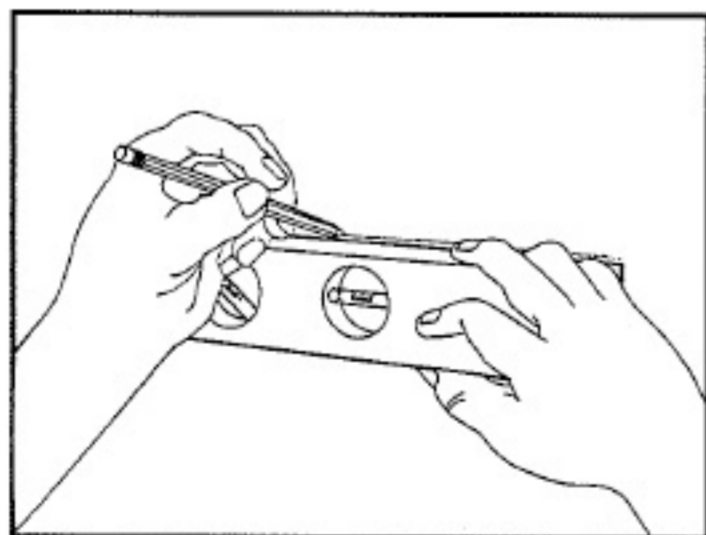
STEP 2

Select the installation location. **WARNING:** Allow a minimum of 3 in. (7.62 cm) of space below cartridge for changeouts.



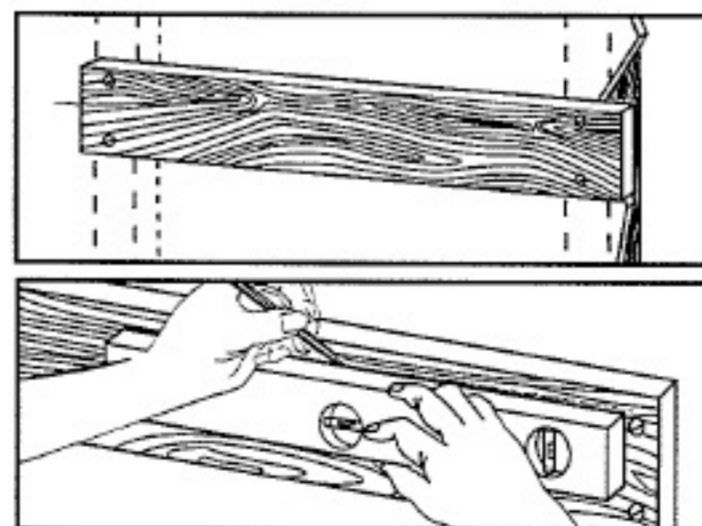
STEP 3

Select fasteners (not included) and tools appropriate for the installation location (wood beam, concrete, etc.).
WARNING: The location and fasteners must support the weight of the system when full of water.



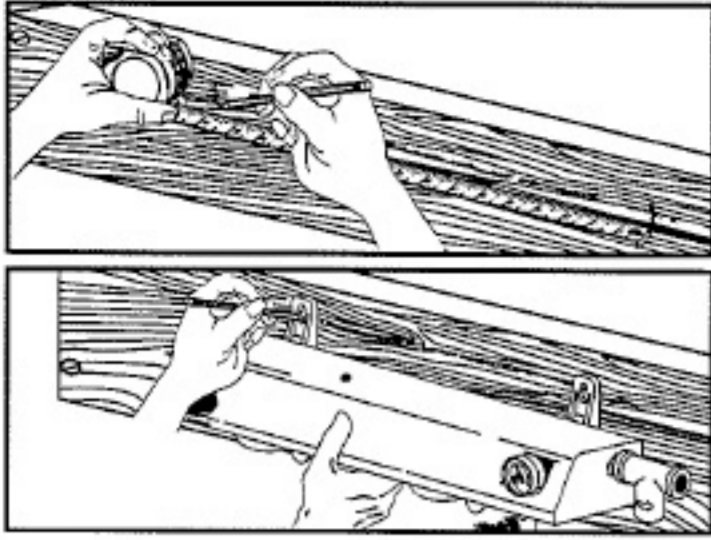
STEP 4

Draw a line using a level on the mounting surface.



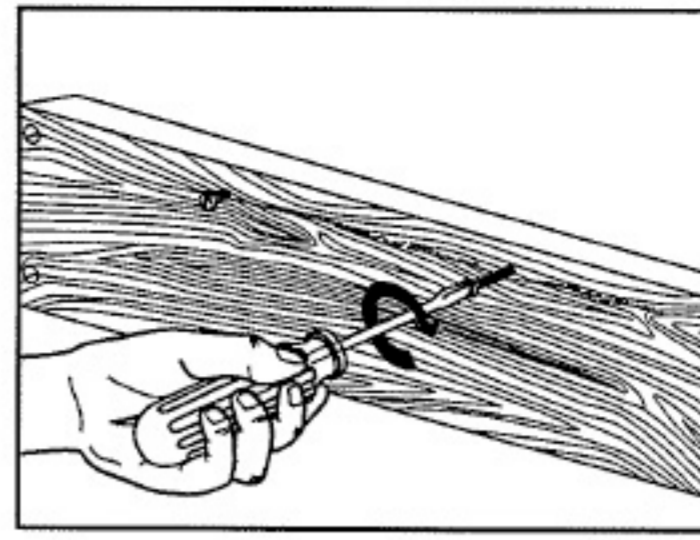
STEP 5

If required, install a horizontal board to wall studs to support the full weight of the system. Draw a level line on the board at the height for the fasteners.



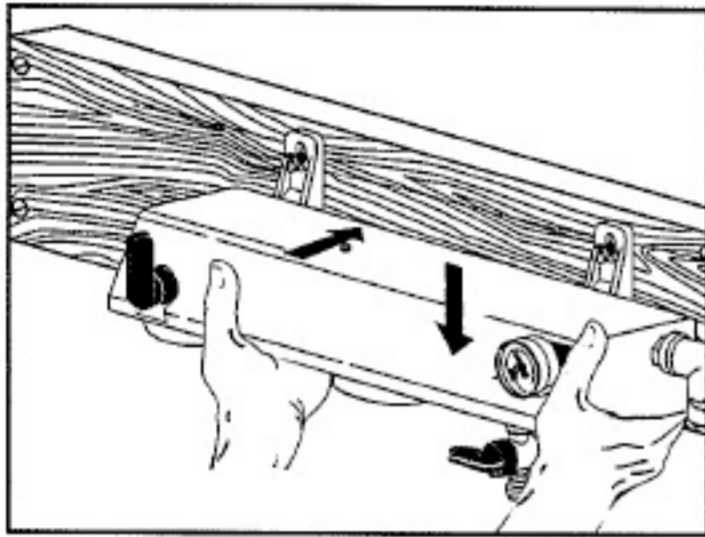
STEP 6

Mark the locations for the fasteners either by measuring the distance between the bracket holes or using the bracket itself.



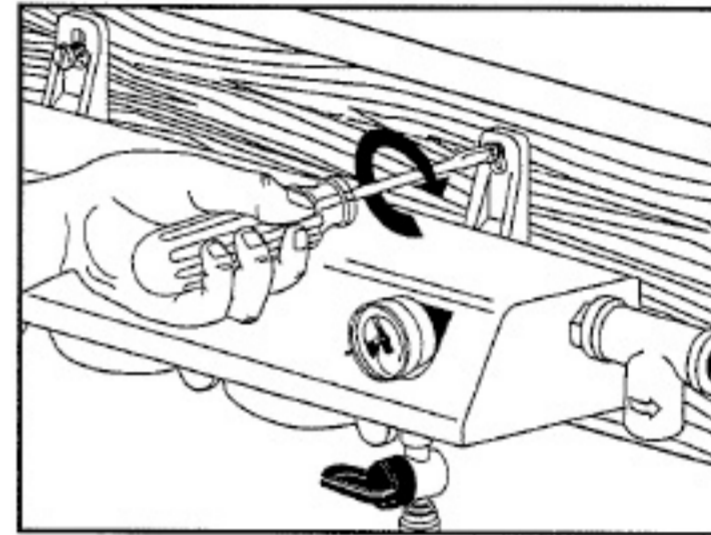
STEP 7

Install the fasteners and allow 1/4" - 3/8" (6 - 10 mm) of each fastener to protrude from the surface of the board.



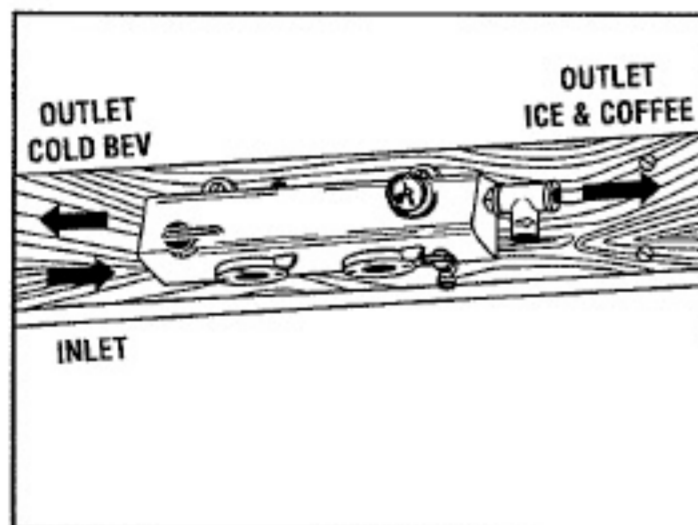
STEP 8

Install the manifold bracket onto fasteners.



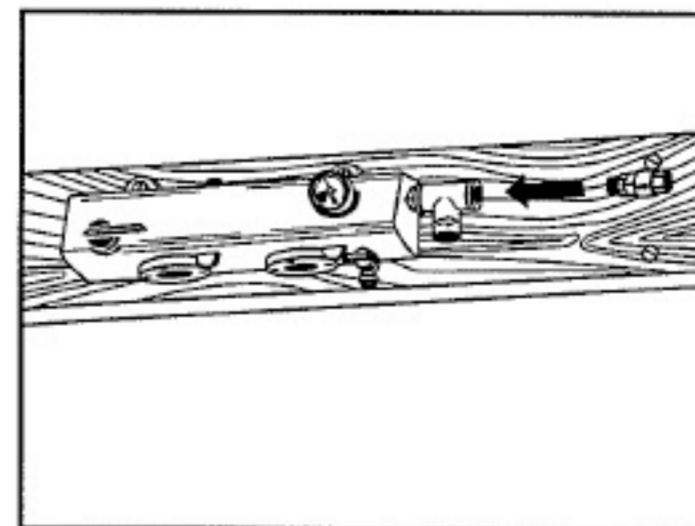
STEP 9

Tighten fasteners.



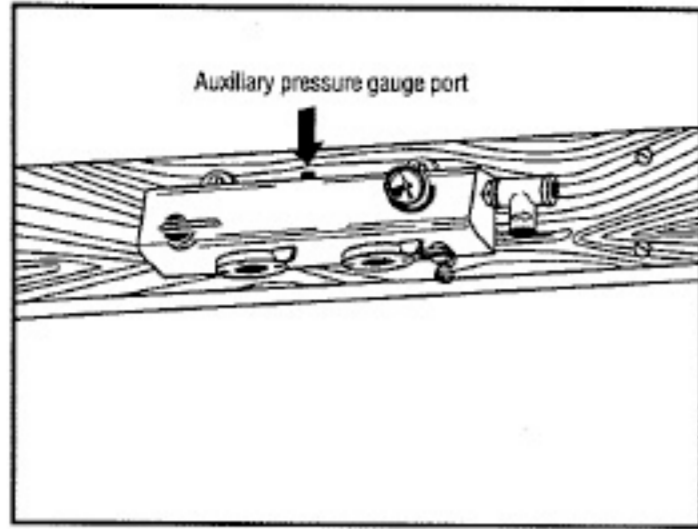
STEP 10

Install inlet and outlet plumbing connections (as depicted in drawing or as specified on manifold) to the manifold. (Teflon[®] tape, fittings, and clamps are not included.) **DO NOT OVER TIGHTEN.**



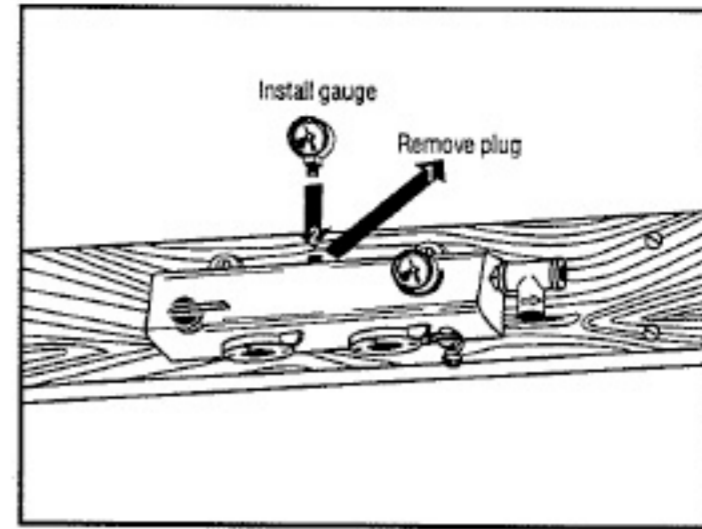
STEP 11

Install check valve to scale cartridge outlet port. **DO NOT OVER TIGHTEN.**



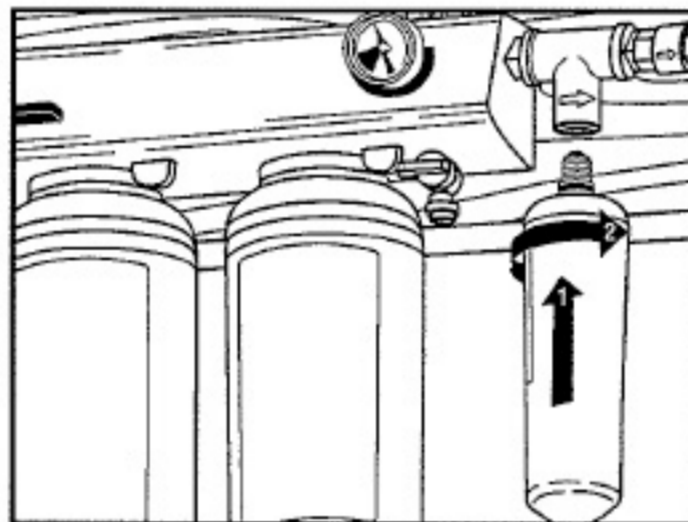
STEP 12

NOTE: All manifolds have an auxiliary pressure gauge port to monitor the inlet water pressure. An optional pressure gauge can be purchased separately (p/n 85005-49) to insert into this port.



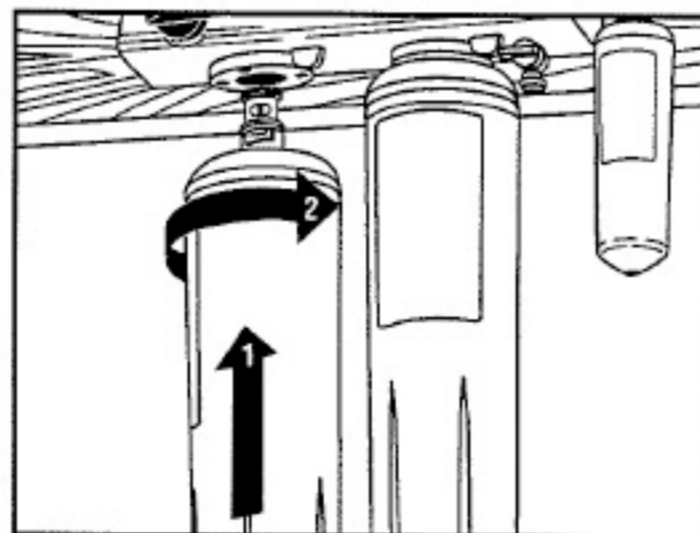
STEP 13

To install optional pressure gauge, unthread plug using an Allen wrench. Thread pressure gauge into manifold port.



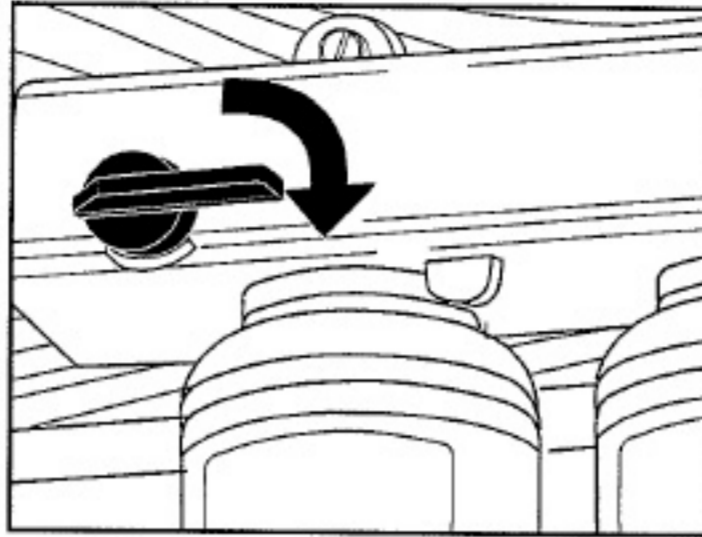
STEP 14

Install scale cartridge (HF8-S) by inserting and turning cartridge to the right until it comes to a complete stop.



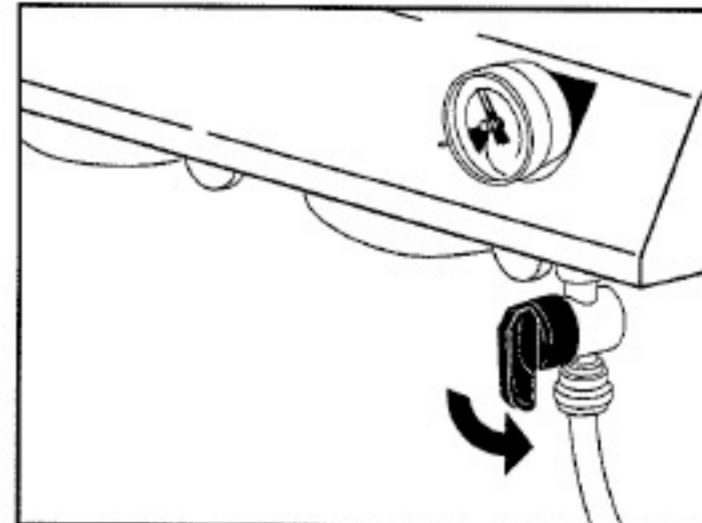
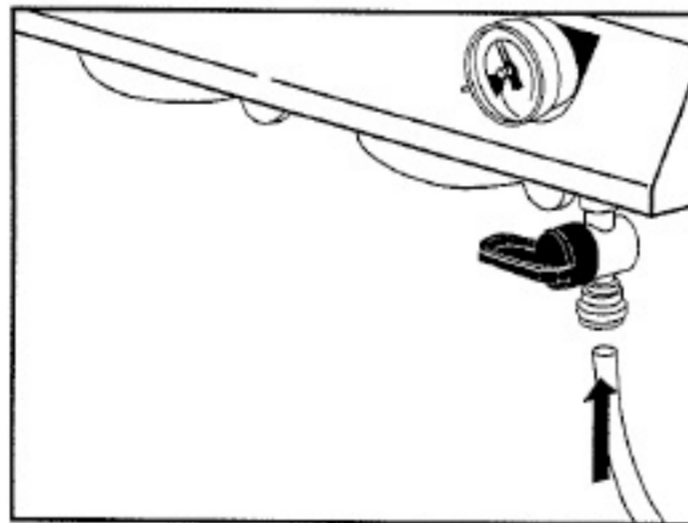
STEP 15

Remove sanitary cap from cartridges. Install remaining cartridges with a quarter turn to the right until cartridges come to a complete stop.



STEP 16

Slowly turn on inlet water supply. Be sure the valve on the manifold is in the "ON" position.
NOTE: Check system for leaks.



STEP 17

Connect 1/4" O.D. tubing to the flush valve. Run tubing to drain. Turn flush valve "ON" and flush cartridges to remove any entrapped air and carbon fines from the cartridge. Refer to the performance data sheet for flush time. Close flush valve. System is ready for use.