



Whole House Water Filtration System

SP-WH300 (3 Stage)

SP-WH200 (2 Stage)

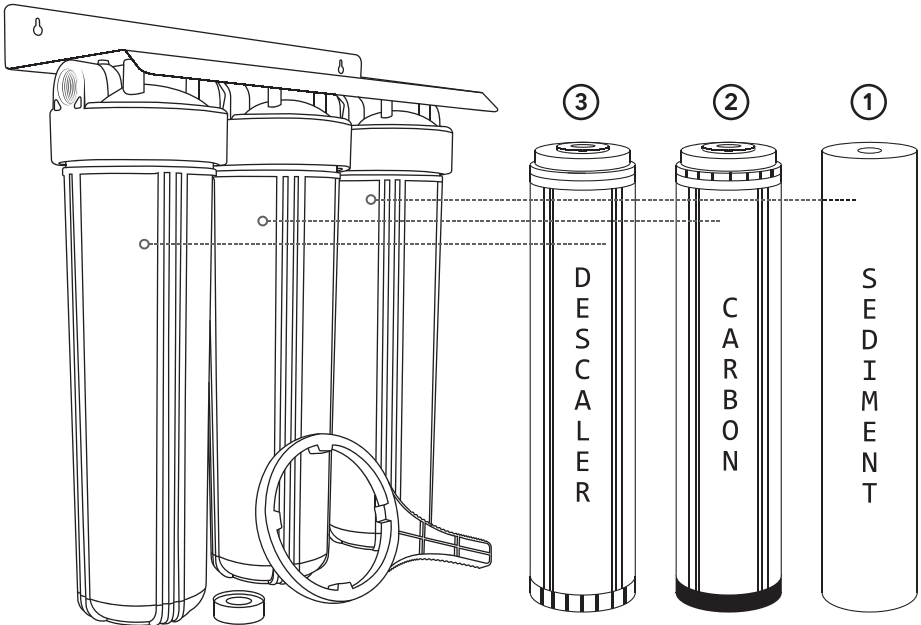


Table of Contents

Warning/Caution	1
Product Specifications	1
Package Include	2
Tools Need	2
Parts Not Included	3
Attentions Installers	3
Pre-Installation	3
Installation Instructions	4
Model Numbers for Replacement Cartridges	7
Model Numbers for Replacement Parts	7
Troubleshooting	8
Warranty Guide	9

Read all instructions or manuals provided with the system before installation, repairs, or replacement of filter cartridges. Follow the filter cartridge manufacturer's recommendations for replacement frequency.

Warning

Do not use with water that is microbiologically unsafe or of an unknown quality without adequate disinfection before or after the system.

Caution

To prevent leakage, damage to the filter housing (including cracking), damage to the filtration system, or damage to other surrounding property:

- For residential use only.
- Do not expose the filter housing or water treatment system to freezing temperatures.
- Ensure that installation complies with all state and local laws and plumbing regulations.
- Replace the filter housings every 5 years.
- Flush the filter housings by running water for five to six minutes after periods of non-use exceeding 30 days.
- Do not expose the filter housings or water treatment system to direct sunlight.
- Ensure the operating pressures do not exceed the filter housing rating of 80 psi.
- Ensure the operating temperatures do not exceed the filter housing rating of 100°F.

Product Specifications

Model	SP-WH300 / SP-WH200
-------	---------------------

Flow Rate	4-8 gpm
Minimum Working Pressure	25 psi
Maximum Working Pressure	80 psi
Operating Temperature	40-100°F (4-37°C)

Package Includes

Part	40-100°F (4-37°C)
Metal Bracket	Wall mount bracket (with housings attached)
3-Stage Housings	Three housings with pre-lubricated O-rings, 1" NPT inlet/outlet, and black caps with a pressure relief button
Cartridges	Stage 1: Sediment (Model: SP-DD-2501-20BB)
	Stage 2: Catalytic Carbon (Model: SP-CC1-20BB)
	Stage 3: Descaler (Model: SP-SC100-20BB)
Wrench	Housing Wrench
Teflon Tape	Teflon Tape

Tools Needed

- Safety glasses
- Pipe cutter
- Towels
- Welding torch
- Flathead screwdriver
- Adjustable wrench
- Deburring tools

Parts Not Included

- Shutoff valves (4)
- Hex nipples or pipe nipples (2)
- Ground jumper cable (1)
- Mounting screws (2)
- 1" male NPT threaded adapters (2)
- Pipe hangers (2)
- If your main water line is 3/4", you will also need 1" to 3/4" reducers

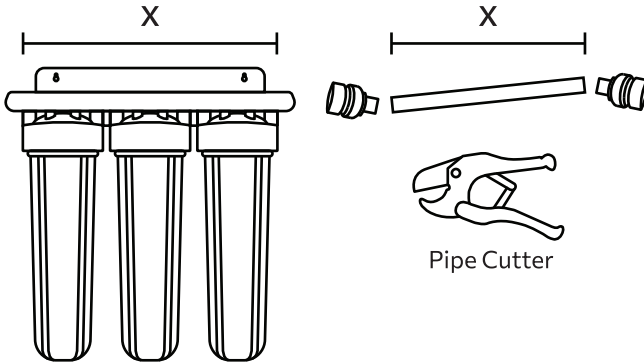
Attention Installers

- Do not use petroleum-based lubricant on O-rings.
- O-rings in this system are pre-lubricated.
- Be sure to note the inlet/outlet markings and the water flow direction.
- A three-valve bypass valve and loop may be installed to loop the entire system to make servicing easier.
- Hard copper pipes generally come in two types. Use a thicker "L" type copper pipe rather than a thinner "M" type copper pipe.
- Be sure to use Teflon tape on threaded fittings.

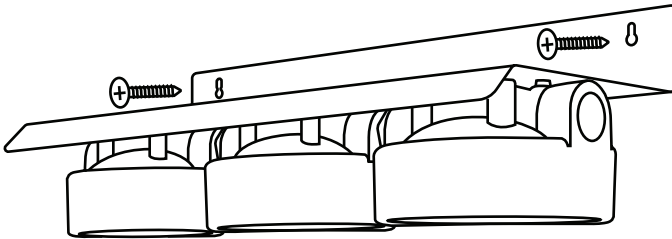
Pre-Installation

- Turn off the water to your house using the main shutoff before beginning the installation.
- Turn off the power to your water heater before the installation.
- Open all plumbing fixtures in the house to drain the lines of water and pressure.

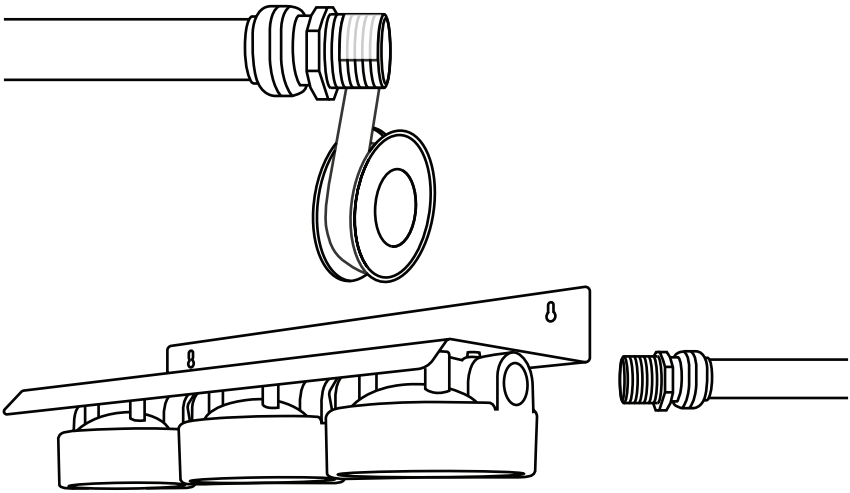
Instructions for New System Installation



1. Determine the location and water flow direction for the system.
 - a. The default water flow direction is right to left. If you would like to reverse the direction, you may unscrew all of the bolts and reverse the bracket.
2. Measure the system, cut, and remove the section of water line where the system is to be installed. When determining the length of pipe to cut, account for the system width, shut-off valves, and any other needed fittings (if applicable)

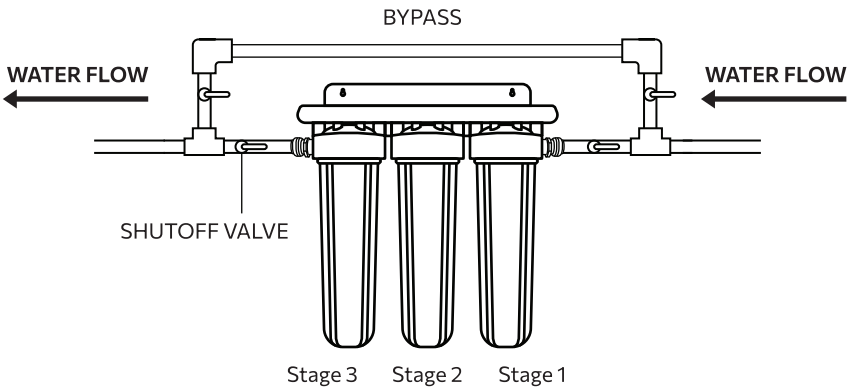


3. Securely mount the system bracket to the wall and ensure the system is level. Please note that screws are not included due to the variables associated with different wall surfaces you may be mounting the system to. Including water, the system weighs about 50 lbs. Ensure your mount is secure enough to hold this weight. If you are mounting the system on drywall, make sure that at least two screws go into a stud. If the stud location doesn't line up with the existing holes, you should drill an additional hole into the mounting bracket.



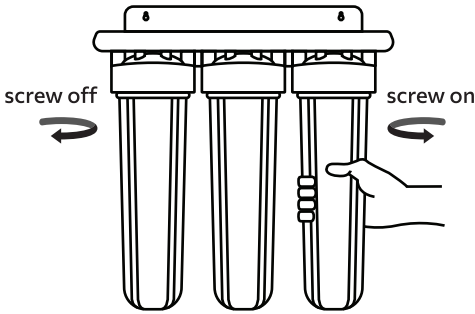
4. Apply Teflon tape to each threaded adapter to prevent leakage. Then attach your water supply line to the inlet and outlet with 1" male NPT threaded adapters (not included).

- a. If your water pipe is not 1" NPT, you will need additional adapters to accommodate your pipe size.



5. We highly recommend creating a bypass loop and placing 4 shut-off valves as shown in the diagram above. This allows you to have continuous water during the cartridge replacement.

6. Remove the shrink wrap from the cartridges and insert each cartridge into its housing, making sure that you are putting the cartridges in the following order: 1) sediment, 2) carbon, and 3) descaler (depending on the water flow direction). Ensure the cartridges are centered in the housings.



7. Screw the filter housing into the top cap and hand tighten it. If necessary, an enclosed wrench can be used, but be sure not to overtighten.

8. Slowly turn on the water at the main shutoff and run for 5-10 minutes to flush out any carbon fines and air bubbles and to check for leaks.

9. Turn on the cold water on the nearest faucet to properly perform the initial system flush.

NOTES

- a. You may see discolored water while flushing. The system is releasing carbon fines and it is completely normal. Continue to run water until it is clear. It is not unusual for the water to appear “cloudy” for a day or so following installation. This cloudiness is tiny air bubbles being purged from the filters.
- b. Trapped air in the water system may create noise at plumbing fixtures or faucets. Trapped air usually gets released and goes away by turning the fixture once or twice or by running the faucet for a few minutes.

10. Turn off the faucet when water appears clear.

11. Enjoy your clean and clear, freshly filtered water.

NOTE

- a. Even though there is now filtered water in the cold water lines, the hot water heater is still full of unfiltered water. Through normal use, this water will be replaced with filtered water in about 2-3 days.

	Stage 1	Stage 2	Stage 3	Filter Set
SP-WH300	SP-DD-2501-20BB Sediment Filter	SP-CC1-20BB Catalytic Carbon Filter	SP-SC100-20BB Descaler	SP-WH325-R
SP-WH200	SP-DD-2501-20BB Sediment Filter	SP-CC1-20BB Catalytic Carbon Filter		SP-WH225-R

*Recommended filter replacement frequency is every 6-12 months, depending on filter type, or sooner if a noticeable pressure drop occurs.

Model Numbers for Replacement Parts

Description	Model Number
SpiroPure BB Water Filter Housing Wrench	SP-FH-WRENCH-BB
SpiroPure O-ring for BB Water Filter Housings (Lower)	SP-FH-ORING-BB-L
SpiroPure O-ring for BB Water Filter Housings (Upper)	SP-FH-ORING-BB-U
SpiroPure Triple Water Filter Housing Mounting Bracket	SP-FH-MB-TRIPLE

Troubleshooting

Problem	Solution
Water pressure is slowing even though it hasn't been 6 months since the last filter replacement	Even though the cartridges last 6-12 months in most residential applications, the actual filter replacement frequency depends on the level of contaminants present in your water and usage. If your water pressure is slowing too quickly, we recommend replacing the sediment filter (stage 1) more frequently first. If that doesn't solve the water pressure issue, the entire set of cartridges may need to be replaced more frequently.
Water pressure is slowing immediately after installation	Make sure the shrink wrap has been removed from each cartridge.
Water appears cloudy and/or grey	Water may appear cloudy or grey for the first few days after installation due to compressed air bubbles being purged from the cartridges and carbon fines being released into the water. This condition is temporary and will resolve itself in 3-5 days. Carbon fines are not harmful when consumed.

Leakage from the threads on the filter housing	<ol style="list-style-type: none"> 1) Make sure the O-ring is properly seated in the groove. 2) Lubricate the O-ring with silicone grease. 3) Replace the O-ring if it is damaged. 4) Use the enclosed housing wrench to tighten the filter. Do not overtighten.
Leakage from the pressure relief button	Press the pressure relief button several times.
Leakage from the 1" NPT inlet/outlet	Wrap the threads with Teflon tape and reinstall the fitting.

Limited One-Year Warranty - New Water Filtration Systems

SpiroPure warrants that the water filtration system delivered will be free from any defects in workmanship or materials. If your SpiroPure water filtration system fails because of a manufacturing defect within one (1) year from the date of the original purchase, SpiroPure will exchange the defective water filtration system for a new SpiroPure water filtration system without charge.

SpiroPure's obligation to the customer under these warranties shall be limited, at its option, to replacement of items covered by these warranties.

Damage to any part of this system because of misuse, misapplication, negligence, alteration, accident, installation, or operation contrary to our instructions, incompatibility with accessories not installed by SpiroPure, or damage caused by freezing, flood, fire, or Acts of God are not covered by this warranty. In all such cases, regular charges will apply. This limited warranty does not include service to diagnose a claimed

malfunction in this unit. This warranty is void if the claimer is not the original purchaser of the unit or if the unit is not operated under normal municipal water or well water conditions.

We assume no warranty liability in connection with this system other than that specified herein. This warranty is in lieu of all other warranties, expressed or implied, including warranties of fitness for a particular purpose. SpiroPure's liability hereunder shall not exceed the cost of the product. Under no circumstances will SpiroPure be liable for any incidental or consequential damages or for any other loss, damage or expense of any kind, including loss of use, arising in connection with the installation or use or inability to use the covered items. These warranties may change at any time without notice.

Some states do not allow limitations on how long an implied warranty lasts, and some states do not allow the exclusion or limitation of incidental or consequential damages. Therefore, the above limitations may not apply to you. This Limited Warranty gives you specific legal rights, and you may have other rights that vary from state to state. You should consult applicable state laws to determine your rights. So far as is consistent with implied warranties of merchantability and fitness for a particular purpose, the warranties are limited in duration to one year from the date of original shipment.



spiropure®