

- CELL SIDE MATERIAL:**
- SINGLE HEADER 26 GA ALUMINIZED STEEL
 - DOUBLE HEADER 26 GA ALUMINIZED STEEL

- FILTER MEDIA AND CAPACITY:**
- 95% ASHRAE STANDARD CAPACITY
 - 95% ASHRAE HIGH CAPACITY
 - 65% ASHRAE STANDARD CAPACITY
 - 65% ASHRAE HIGH CAPACITY

- GASKET MATERIAL:**
- HT ROPE
 - 1/4" SILICONE
 - NONE

- GASKET LOCATION:**
- DOWNSTREAM
 - UPSTREAM
 - UPSTREAM AND DOWNSTREAM
 - NONE

- CLIP HOLE LOCATION:**
- 5/3 & 3/5 (STANDARD)
 - 4/4 & 4/4
 - CENTERED
 - NONE

- HEADER THICKNESS:**
- 13/16" (STANDARD)
 - 1-1/8"

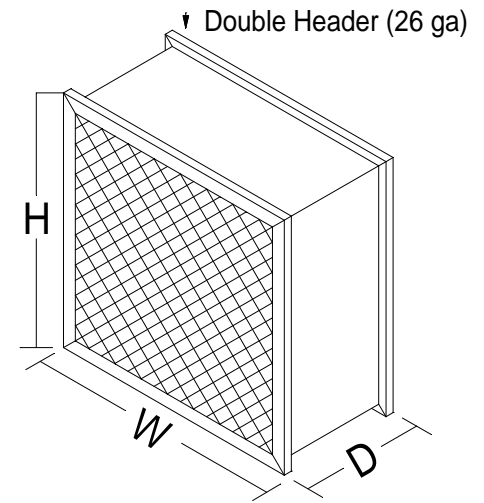
** STANDARD DEPTHS: 5-7/8" AND 11-1/2"

Customer Notes / Additional Requirements

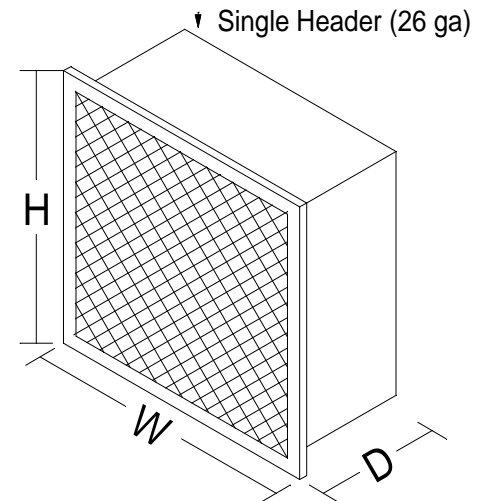


Koch Filter Corporation
 Filtration Products Crafted with Pride
 P.O. Box 3186 - Louisville KY 40201
 625 W. Hill Street - Louisville KY 40208
 Phone: (502) 634-4796 FAX: (502) 637-2280

HT MULTI-CELL FILTER SUBMITTAL



Height* X Width* X Depth
 * of FLANGE
 ALL DIMENSIONS ARE ACTUAL SIZE



Height* X Width* X Depth
 * of FLANGE
 ALL DIMENSIONS ARE ACTUAL SIZE