

CELL SIDE MATERIAL:

- SINGLE HEADER 26 GA GALVANIZED STEEL
- DOUBLE HEADER 26 GA GALVANIZED STEEL

FILTER MEDIA AND CAPACITY:

- 95% ASHRAE STANDARD CAPACITY
- 95% ASHRAE HIGH CAPACITY
- 65% ASHRAE STANDARD CAPACITY
- 65% ASHRAE HIGH CAPACITY

SEPARATORS:

- ALUMINUM (STANDARD)
- PVC COATED ALUMINUM

GASKET MATERIAL:

- NEOPRENE - 1/4 INCH
- FOAM - 3/16 INCH
- NONE

GASKET LOCATION:

- DOWNSTREAM
- UPSTREAM
- UPSTREAM AND DOWNSTREAM
- SIDE ACCESS - BOTH SIDES (FOAM GASKET ONLY)
- NONE

CLIP HOLE LOCATION:

- 5/3 & 3/5 (STANDARD)
- 4/4 & 4/4
- CENTERED
- NONE

HEADER THICKNESS:

- 13/16" (STANDARD)
- 1-1/8"

** STANDARD DEPTHS: 5-7/8" AND 11-1/2"

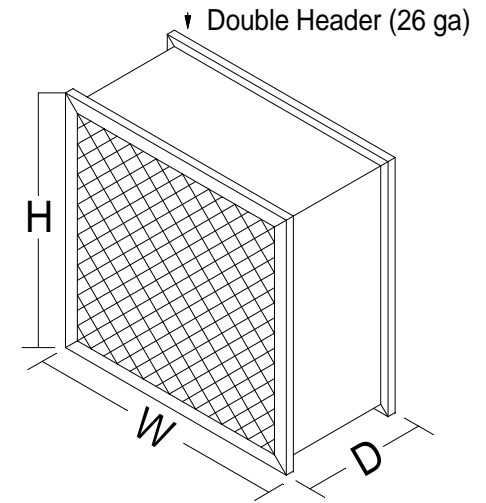
Customer Notes / Additional Requirements



Koch Filter Corporation

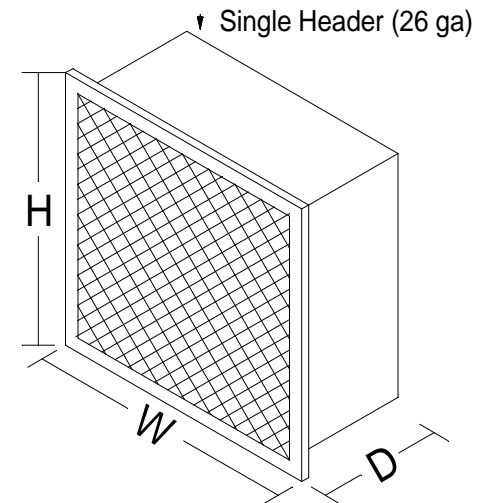
Filtration Products Crafted with Pride
P.O. Box 3186 - Louisville KY 40201
625 W. Hill Street - Louisville KY 40208
Phone: (502) 634-4796 FAX: (502) 637-2280

MAXI-CELL FILTER SUBMITTAL



$\frac{\text{Height}^*}{x}$ $\frac{\text{Width}^*}{x}$ $\frac{\text{Depth}}{x}$

* of FLANGE
ALL DIMENSIONS ARE ACTUAL SIZE



$\frac{\text{Height}^*}{x}$ $\frac{\text{Width}^*}{x}$ $\frac{\text{Depth}}{x}$

* of FLANGE
ALL DIMENSIONS ARE ACTUAL SIZE