



DIVVY 250 EMERGENCY WATER SYSTEM

REMOVAL SPECIFICATIONS

Meets or Exceeds NSF/ANSI 42 for Chlorine, Taste and Odor Reduction.
 Meets or Exceeds NSF/ANSI 53 for Cyst Removal ($\geq 99.9\%$).
 Meets or Exceeds EPA Standards for a Water Purifier.
 Removes $\geq 99.9999\%$ Bacteria
 Removes $\geq 99.99\%$ Virus
 Assembled in USA

WEIGHTS / DIMENSIONS

The DIVVY 250 system shipping weight is 211 pounds (96 kg) and can be stored in 25 cubic feet of space.

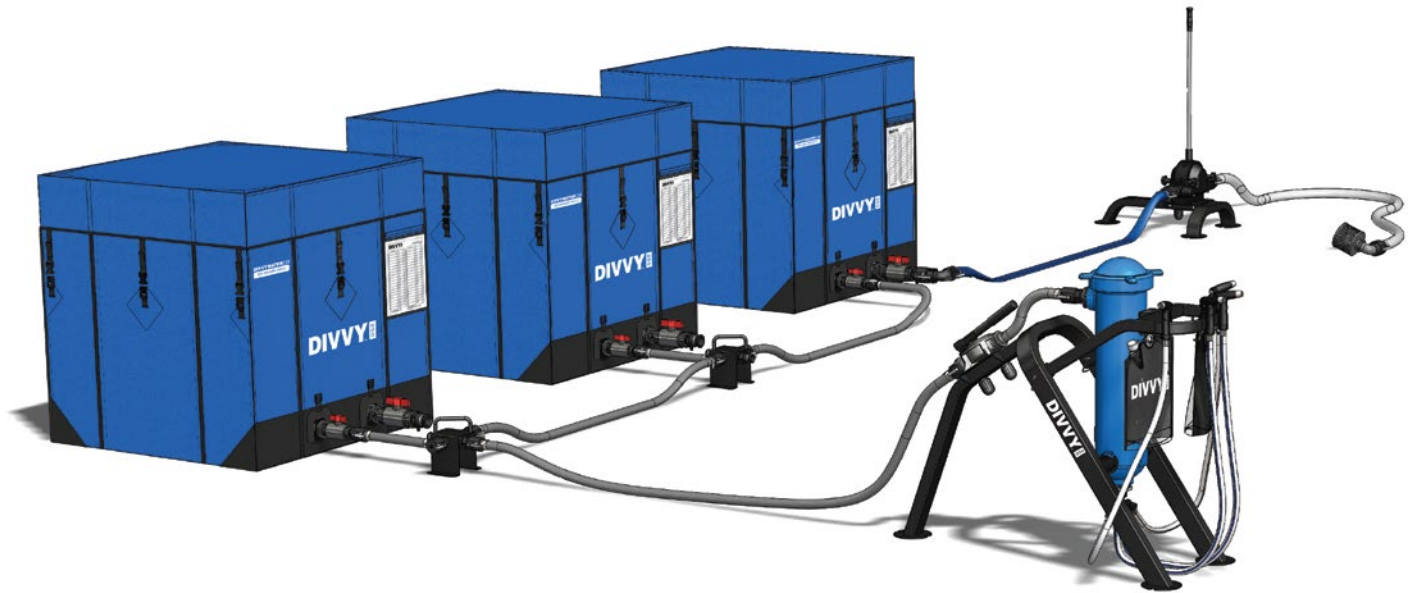
COMPONENT	DIMENSIONS	WEIGHT
DIVVY 250 TANK	44L x 27W x 12H	64 lbs.
DIVVY FILL	44L x 27W x 12H	63 lbs.
DIVVY POD	44L x 27W x 12H	84 lbs.

TREATMENT CAPACITIES

Filling Time: 30 minutes
 Treatment Time: 60 minutes
 Dispense Rate: 50 minutes (≤ 5 GPM, 4 Nozzles at 1.25 GPM per Nozzle)
 250 Gallons/Hr
 2,500 Gallons/Day

OPERATIONAL REQUIREMENTS

The DIVVY 250 Tank requires a level surface for setup.
 No Tools required for assembly.
 One Person Operation.
 Initial setup time: 30 Minutes.



DIVVY 250³ EMERGENCY WATER SYSTEM

REMOVAL SPECIFICATIONS

Meets or Exceeds NSF/ANSI 42 for Chlorine, Taste and Odor Reduction.
 Meets or Exceeds NSF/ANSI 53 for Cyst Removal ($\geq 99.9\%$).
 Meets or Exceeds EPA Standards for a Water Purifier.
 Removes $\geq 99.9999\%$ Bacteria
 Removes $\geq 99.99\%$ Virus
 Assembled in USA

WEIGHTS / DIMENSIONS

The DIVVY 250³ system shipping weight is 359 pounds (163 kg) and can be stored in 41 cubic feet of space.

COMPONENT	DIMENSIONS	WEIGHT
DIVVY 250 TANK	44L x 27W x 12H	64 lbs.
DIVVY FILL	44L x 27W x 12H	63 lbs.
DIVVY POD	44L x 27W x 12H	84 lbs.
DIVVY EXP TANK (2 ea.)	44L x 27W x 12H	74 lbs.

TREATMENT CAPACITIES

Filling Time: 30 minutes
 Treatment Time: 60 minutes
 Dispense Rate: 50 minutes (≤ 5 GPM, 4 Nozzles at 1.25 GPM per Nozzle)
 250 Gallons/Hr
 6,000 Gallons/Day

OPERATIONAL REQUIREMENTS

The DIVVY 250 Tank requires a level surface for setup.
 No Tools required for assembly.
 Two Person Operation.
 Initial setup time: 30 Minutes.

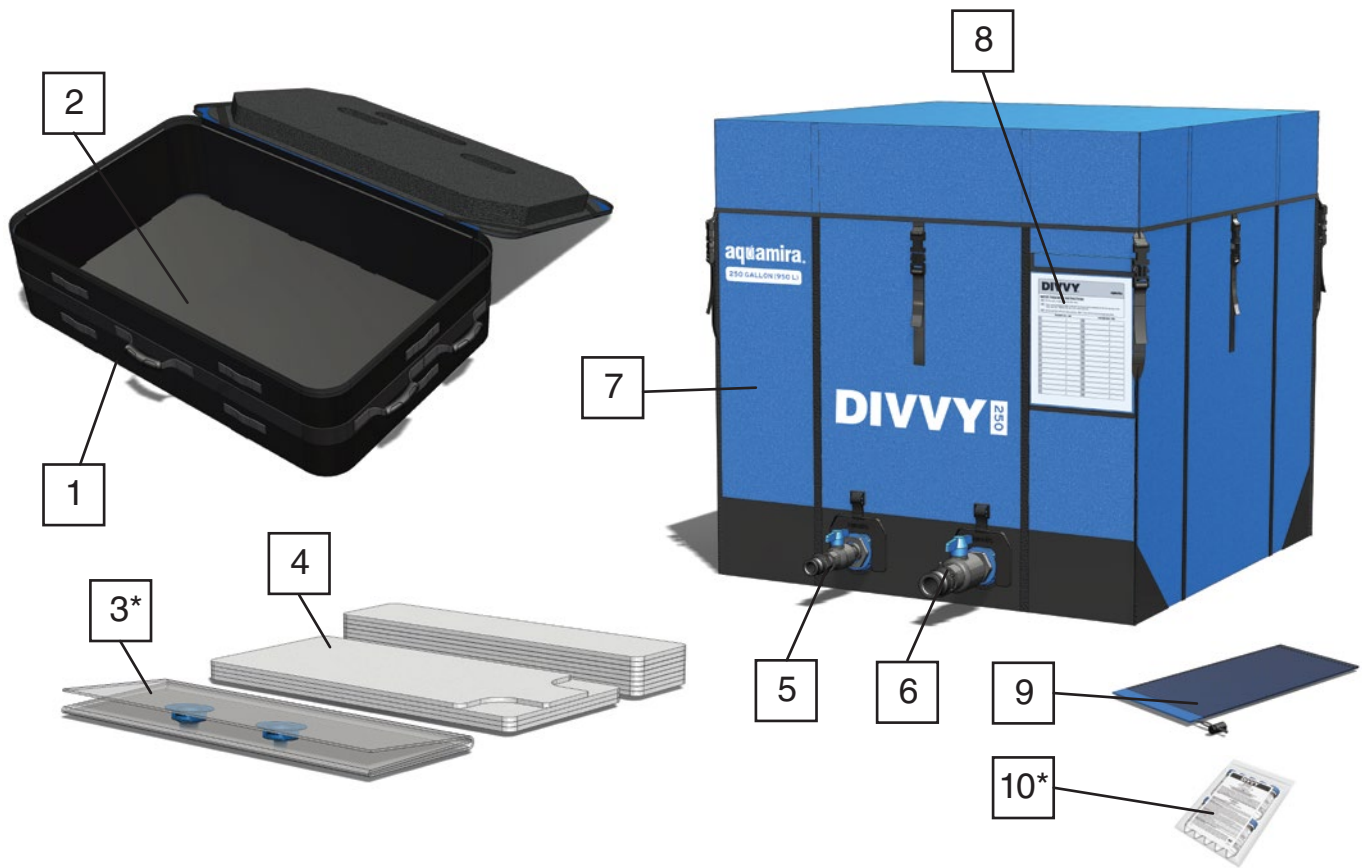
DIVVY™



DIVVY POD

ITEM	DESCRIPTION	SPECIFICATION
1	SEWN CASE	BALLISTIC NYLON/200D NYLON/NYLON WEBBING
2	CASE INSERT	CORRUGATED PLASTIC SHEET/ 2# & 4# PE FOAM
3	STEEL POD FRAME	14 GA STEEL/POWDER COATED
4	PUMP ATTACHMENT GRIPS	PP/TPR/STEEL THREADED GRIP
5	LOCKING PINS	STEEL
6	PUMP	10 GPM DELRIN/ALUMINUM/BUNA-N
7	TRANSFER HOSE	1' X10' PVC NSF-51
8	CAM-LOCK FITTINGS	PP/ALUMINUM BANJO CAM-LOCK
9*	FILTER	REPLACEABLE CARBON BLOCK FILTER (
10	FILTER CASSETTE	UHMW/PVC/SILICONE/SS
11	FILTER HOUSING	PVC
12	REDUCING BUSHINGS	PP
13	4 PORT BRASS OUTLET	3/4" HOSE THREAD BRASS/TPR
14	DRINKING HOSE	4 FT PVC NSF-61
15	HOSE NOZZLE	3/4" HOSE THREAD BRASS/TPR
OPTIONAL 16*†	HOSE KIT	1" X 10' PVC NSF-51
OPTIONAL 17*†	CONNECTION STATION	POWDER COATED STEEL / PP CAM-LOCK
OPTIONAL 18*†	TRANSPORT BAG	LLDPE 1 GALLON SPOUTED

NOTE: * Items are found in the Consumables Kit (Sold Separately)
 † Sold Separately

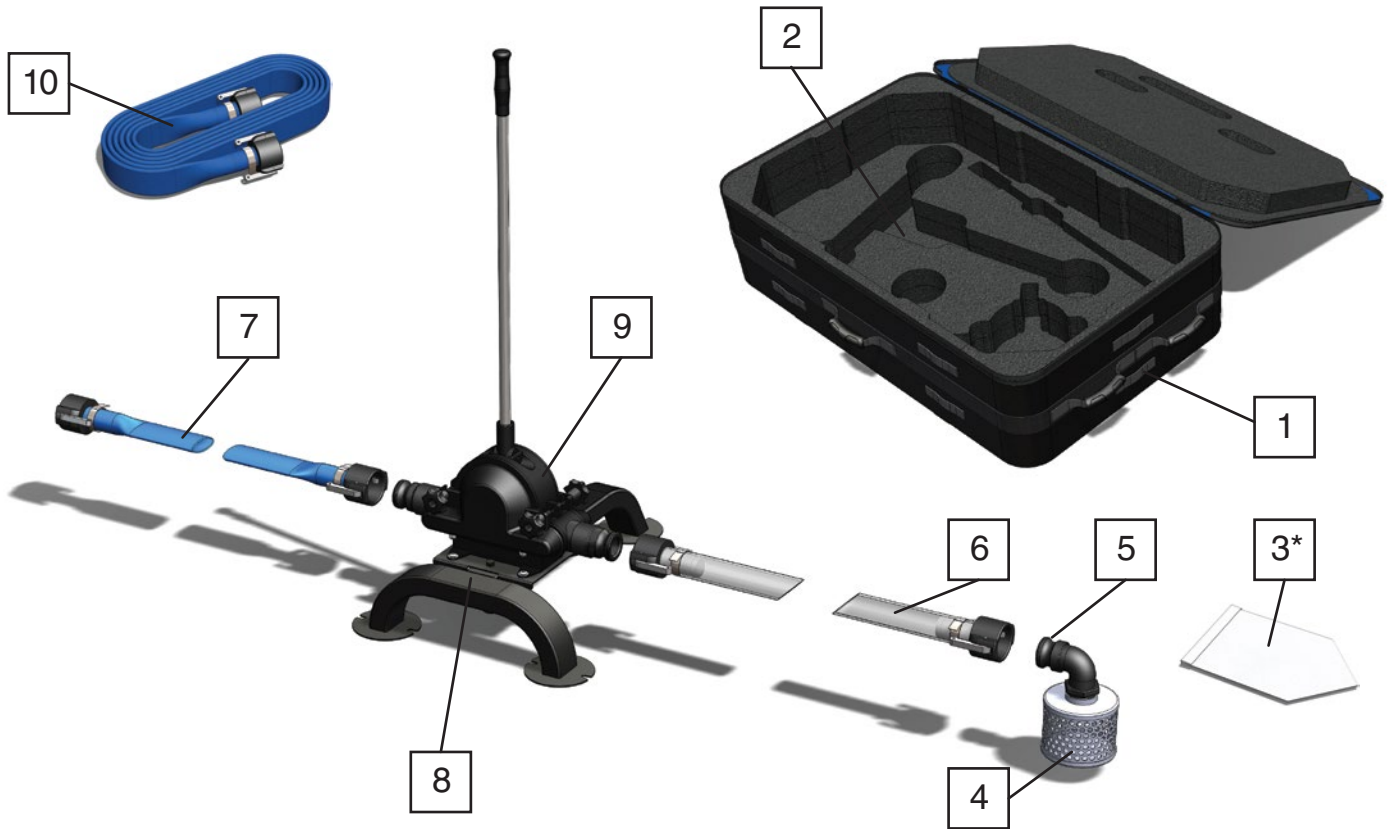


DIVVY TANK

ITEM	DESCRIPTION	SPECIFICATION
1	SEWN CASE	BALLISTIC NYLON/200D NYLON/NYLON WEBBING
2	CASE INSERT	CORRUGATED PLASTIC SHEET/ 2# & 4# PE FOAM
3*	TANK LINER	3 SPOUT 2PLY 3.2MIL CLEAR LINER (See Consumables Kit)
4	PLASTIC INSERTS	CORRUGATED 12MM
5	VALVE FITTING (V1)	1 INCH BALL VALVE WITH CAM-LOCK FITTING
6	VALVE FITTING (V2)	1.5 INCH BALL VALVE WITH CAM-LOCK FITTING
7	250 TANK	VINYL COATED POLY / NYLON / ACETAL
8	EVENT RECORD FORM	WATERPROOF PAPER
9	TREATMENT BAG	VINYL COATED POLY / POLY MESH / ACETAL
10*	WATER TREATMENT	CALCIUM HYPOCHLORITE IN PP VIAL / POLY BAG (See Consumables Kit)

NOTE: * Items are found in the Consumables Kit (Sold Separately)

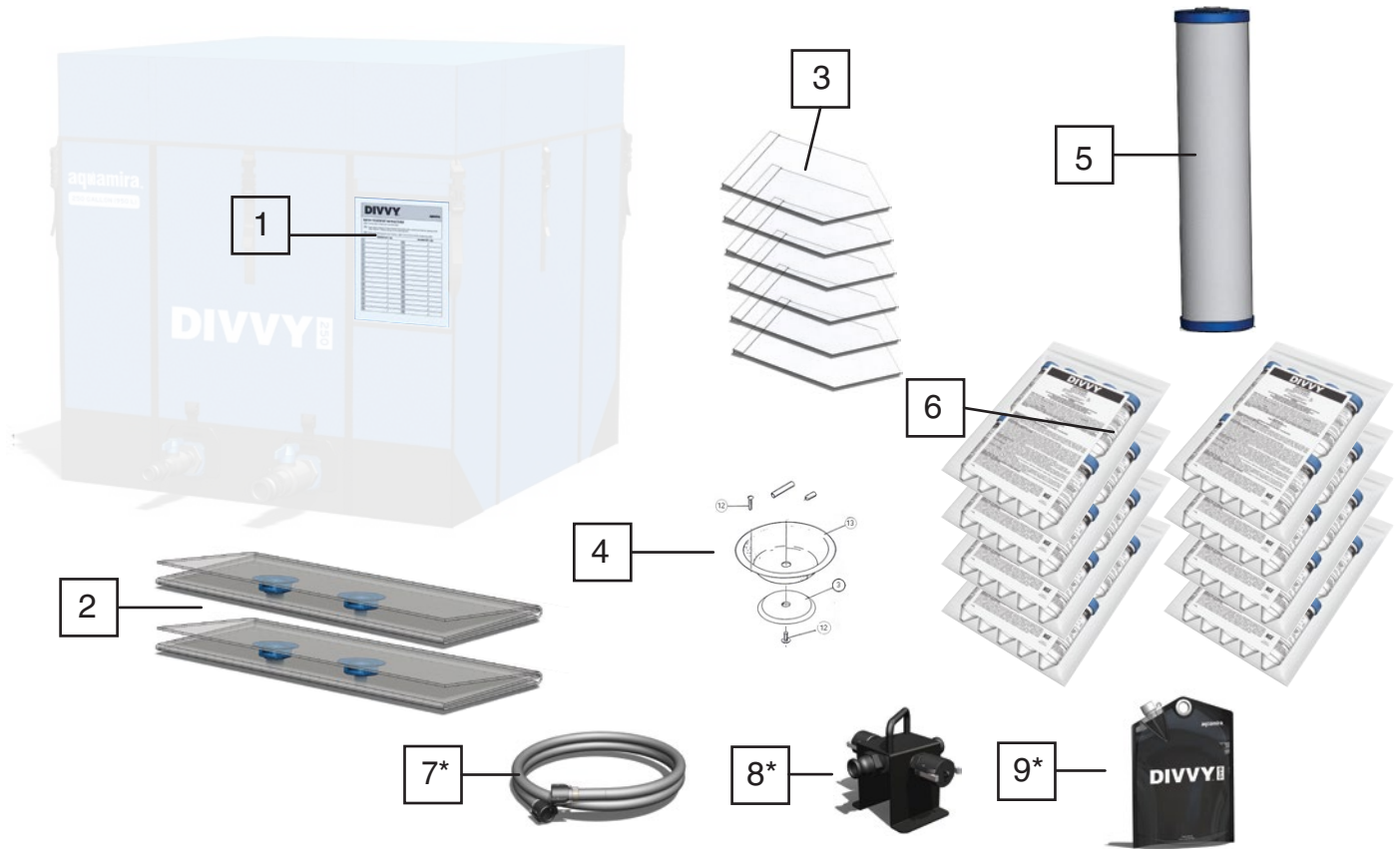
DIVVY™



DIVVY FILL

ITEM	DESCRIPTION	SPECIFICATION
1	SEWN CASE	BALLISTIC NYLON/200D NYLON/NYLON WEBBING
2	CASE INSERT	CORRUGATED PLASTIC SHEET/ 2# & 4# PE FOAM
3*	PRE-FILTER SOCK	POLY FILTER MEDIA (See Consumables Kit)
4	STRAINER	STEEL CHROMED
5	CAM-LOCK FITTINGS	N1.5" PP CAM-LOCK
6	SUCTION HOSE	1.5" PVC REINFORCED
7	FLAT HOSE	1.5" X 20' VINYL COATED / CAM-LOCK FITTINGS
8	FILL PUMP STAND	STEEL POWDER COATED
9	FILL PUMP	30GPM ALUMINUM / BUNA-N
10	FLAT HOSE EXT	1.5" X 10' VINYL COATED / CAM-LOCK FITTINGS

NOTE: * Items are found in the Consumables Kit (Sold Separately)



DIVVY CONSUMABLES

	ITEM NO.	DESCRIPTION	SPECIFICATION
	1	INSERT EVENT FORM	DIVVY 250 EVENT RECORD WATERPROOF PAPER
	2	TA-DIVVY LINER	FORM FIT 3 SPOUT (250gal) 2 EA.
	3	FILTER SOCK KIT	6 PACK DIVVY SOCK FILTERS
	4	SERVICE KIT	REPLACEABLE PARTS
	5	FILTER	REPLACEABLE CARBON BLOCK FLITER
	6	WATER TREATMENT	CALCIUM HYPOCHLORITE IN PP VIAL / POLY BAG (80 x 250 gal doses)
OPTIONAL	7*†	HOSE KIT	1" X 10' PVC NSF-51
OPTIONAL	8*†	CONNECTION STATION	POWDER COATED STEEL / PP CAM-LOCK
OPTIONAL	9*†	TRANSPORT BAG	LLDPE 1 GALLON SPOUTED

NOTE: * Optional items can be added to any order placed
 † Sold Separately