

SPEC # _____

QUANTITY _____

APPLICATION

ESPRESSO



ESP114-T

ESP124-T

AT A GLANCE

Aqua-Pure[®] ESP114-T and ESP124-T single-cartridge water filtration systems assure consistent high-quality water for espresso and espresso-based drinks at flow rates to 0.5 gpm (1.9 lpm). A strong-acid sodium ion-exchange resin reduces calcium and magnesium ions to prevent hard scale formation on the heating coils and boilers resulting in energy inefficiency, downtime, and expensive service calls. Premium activated carbon reduces chlorine taste and odor and bitterness associated with poor water quality.

- MODEL ESP114-T removes hardness up to 700 grains.
- MODEL ESP124-T removes hardness up to 1100 grains.

PRODUCT BENEFITS

- Consistent, great-tasting espresso and espresso drinks from water with reduced hardness and chlorine taste and odor.
- Reduced hard scale formation on the heating coils by the reduction of calcium and magnesium ions results in improved energy efficiency and reduced downtime and expensive service calls.
- Patented* valve-in-head design simultaneously shuts off and vents water with 1/4 turn, allowing for simple and trouble-free cartridge change-outs.
- SQC™ - Sanitary Quick Change – encapsulated cartridge design allows for fast and easy change-outs with a 1/4 turn while minimizing the possibility of leakage and contamination.
- FDA CFR-21 compliance provides assurance of safety.
- 3/8" FNPT horizontal inlet and outlet ports allow direct or easily adaptable connections to existing plumbing lines.
- Optional pressure gauge allows monitoring of downstream water pressure.
- Exhausted cartridges may be incinerated for environmentally conscious disposal.

PRODUCT SPECIFICATIONS

Model Number	Part Number	Reduction Claims	Capacity	Service Flow Rate	Replacement Cartridge	Sizing
ESP114-T	56176-09	Hardness, Chlorine, Taste & Odor	700 Grains	0.5 gpm (1.9 lpm)	PS114: 56109-09	Approximate Capacity in Gallons = Grain Capacity/Incoming Water Hardness in Grains
ESP124-T	56176-10	Hardness, Chlorine, Taste & Odor	1,100 Grains	0.5 gpm (1.9 lpm)	PS124: 56109-07	Approximate Capacity in Gallons = Grain Capacity/Incoming Water Hardness in Grains

* U.S. Patent #6,458,269

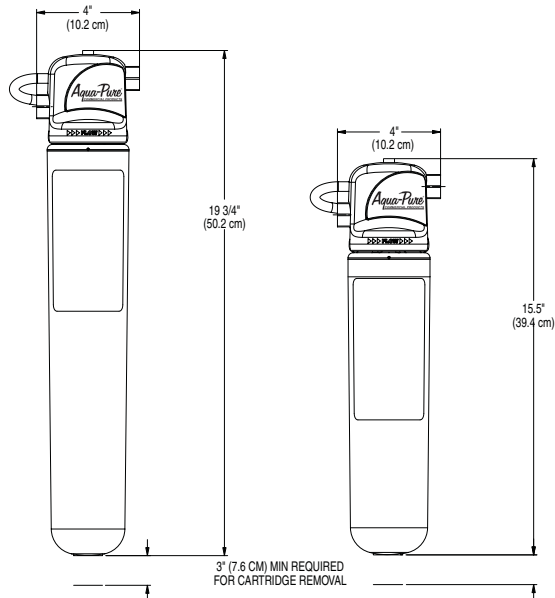
Aqua-Pure® Commercial Products

SPEC # _____
QUANTITY _____
MODEL NUMBER _____
PART NUMBER _____

Aqua-Pure®

COMMERCIAL PRODUCTS
ESP114/ESP124

PHYSICAL SPECIFICATIONS



- System includes a head assembly, integral mounting bracket, and single cartridge filter.
- Optional downstream pressure gauge port in top of head assembly.
- Inlet and outlet plumbing connections are 3/8" FNPT.
- System incorporates an internal automatic 1/4 turn shut off valve.
- Filter cartridge is double o-ring seal type.
- System maximum operating pressure is 125 psi (862 kPa) and operating temperature 100°F (38°C).
- Recommended service flow rate is 0.5 gpm (1.9 lpm).
- Filter cartridges incorporate premium activated carbon media and strong-acid ion-exchange media in the sodium form.
- System is CFR-21 compliant.
- Cartridge body is constructed from high-impact polypropylene.
- Cartridges are sanitary in design, requiring no contact with the filter media during cartridge change-out.
- Filter cartridges require no pre-activation.
- Shipping weight: ESP114-T — 20 lbs. (9.1 kg) per case
ESP124-T — 12 lbs. (5.44 kg) per case
- Case Quantity: ESP114-T — 6
ESP124-T — 4

INSTALLATION TIPS

- Shut off downstream equipment prior to installation of the system.
- Choose mounting location to support full system weight when operating.
- Do not exceed operating parameters for temperature or pressure.
- Do not install outdoors.
- For commercial use only with cold water.

Do not use with water that is microbiologically unsafe or of unknown quality without adequate disinfection before or after the system.

CUNO Incorporated recommends regularly scheduled maintenance and replacement of the filter cartridge(s) in order for the product to perform as advertised/sold. Change the filter cartridge at least every 6 months. CUNO shall not be liable for system failures due to improper maintenance.

LIMITED 5 YEAR WARRANTY

CUNO Incorporated warrants to the original purchaser-consumer that this product is free from defects in materials and workmanship. This warranty, together with any and all warranties implied by law, shall be limited to a period of five (5) years from the date of original purchase by the consumer. This warranty does not apply to failures that result from abuse, misuse, alteration or damage not caused by CUNO. This warranty is subject to exclusions and limitations. Please refer to the Warranty Card provided with the product for details.

SERVICE WORLDWIDE

CHINA
CUNO Filtration Shanghai Co. Ltd.
No. 2 Plant East Side
Xin Miao San Road
XinQiao Town SongJiang District
Shanghai, China 201612

JAPAN
CUNO K.K.
Hodogaya Station Building 6F
1-7, Iwai-Cho, Hodogaya-Ku
Yokohama 240-0023, Japan

AUSTRALIA
CUNO Pacific Pty Ltd.
140 Sunnyholt Road
Blacktown, N.S.W. 2148
Australia

BRAZIL
CUNO Latina Ltda
Rua AMF do Brazil - 251
18120 Mairinque-SP, Brazil

EUROPE
CUNO Limited
21 Woking Business Park
Albert Drive
Woking, Surrey
GU21 5JY, England

SINGAPORE
CUNO Filtration Asia Pte Ltd
2A Tuas Avenue 12
Singapore 639023



Visit www.nsf.org for the claims associated with products that are NSF listed.



CUNO Incorporated

400 Research Parkway
Meriden, CT 06450, USA
Toll Free: 1.888.218.CUNO
Worldwide: 203.237.5541
Fax: 203.238.8701

www.cunofoodservice.com